

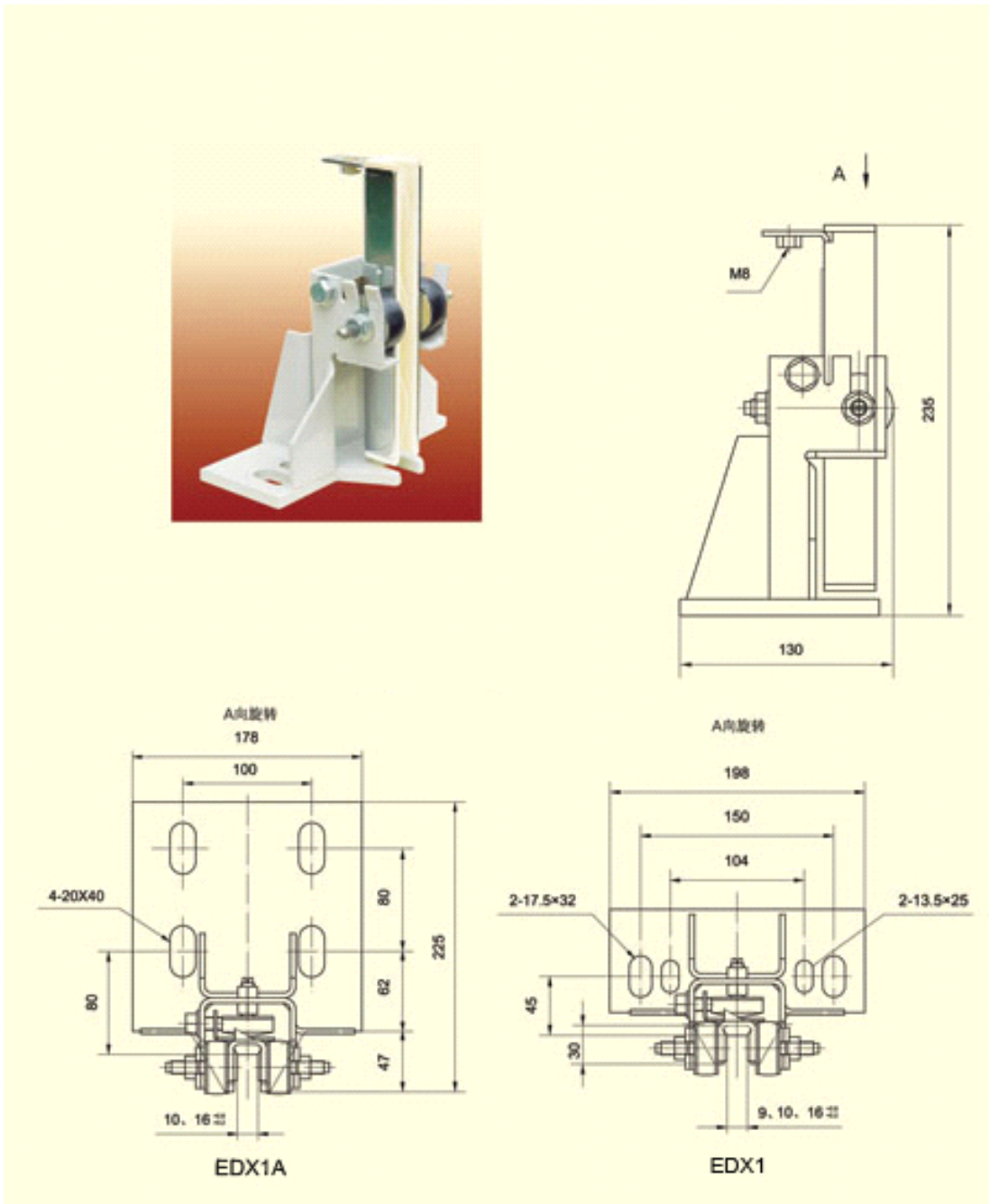
Elevator Parts-Guide Shoe

EDX1

1. Rated Speed: $\leq 2.0\text{m/s}$
2. Width of guide rails: 9, 10, 16mm

EDX1A

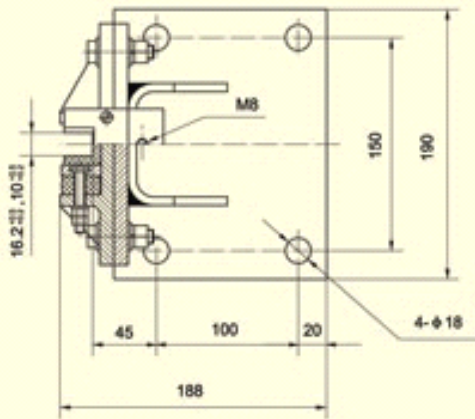
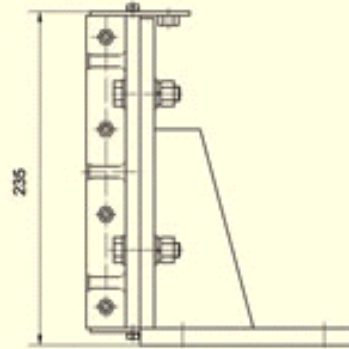
1. Rated Speed : $\leq 2.5\text{m/s}$
2. Width of guide rails: 9, 10, 16mm



Elevator Parts-Guide Shoe

EDX2

1. Rated Speed :< =2.5m/s
2. Width of guide rails: 10.16mm



EDX2

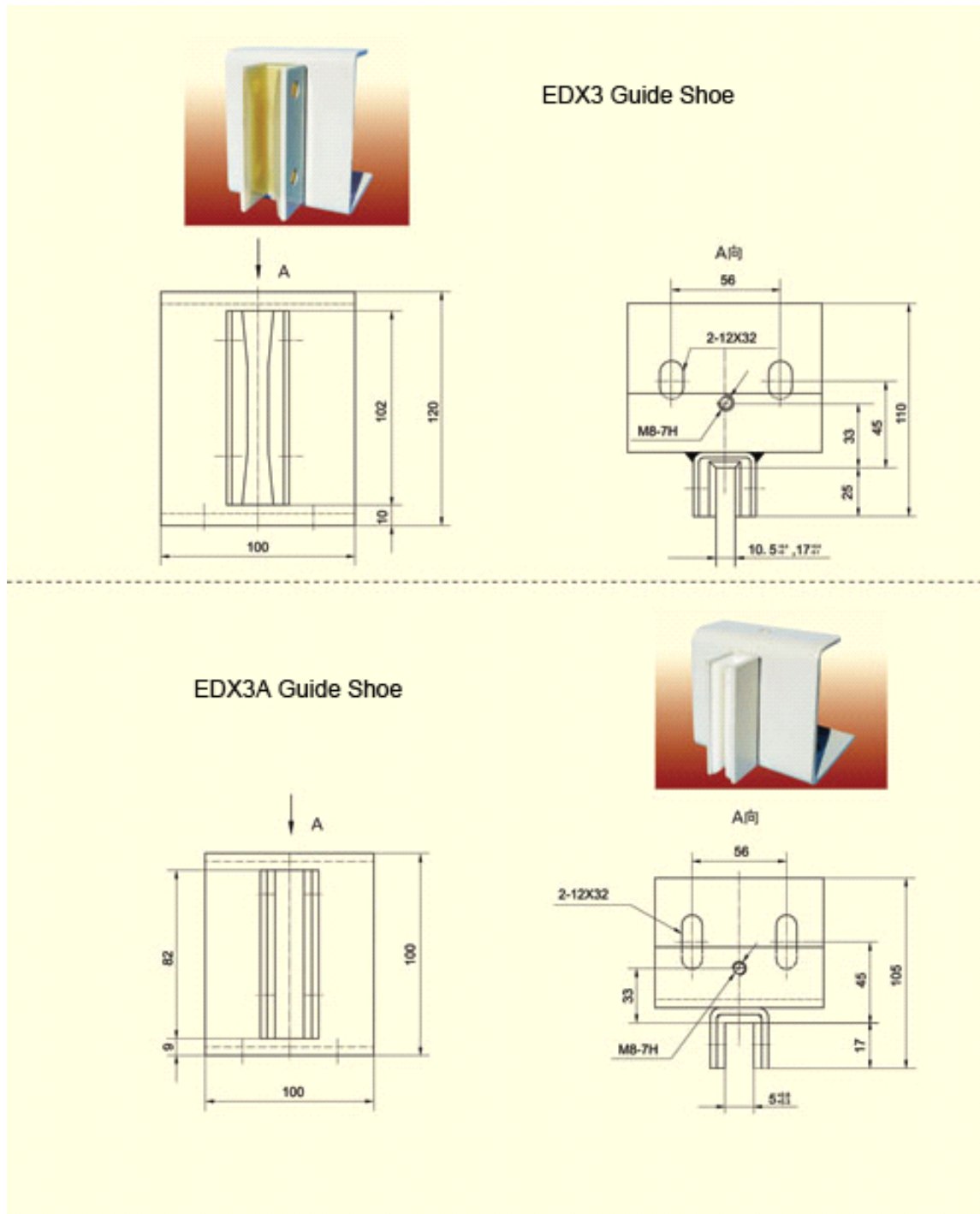
Elevator Parts-Guide Shoe

EDX3

1. Rated Speed :< =2.5m/s
2. Width of guide rails: 10.16mm

EDX3A

1. Rated Speed :< =1.75m/s
2. Width of guide rails: 5mm
3. For Service lift or counterweight.



Elevator Parts-Guide Shoe

EDX4

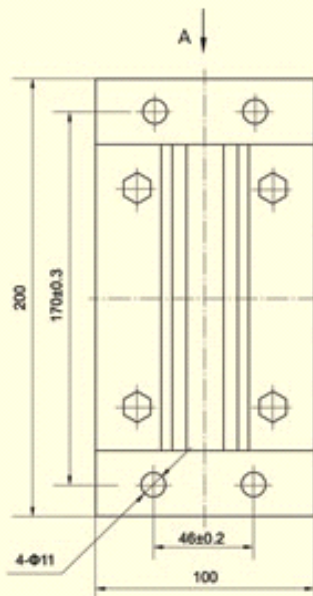
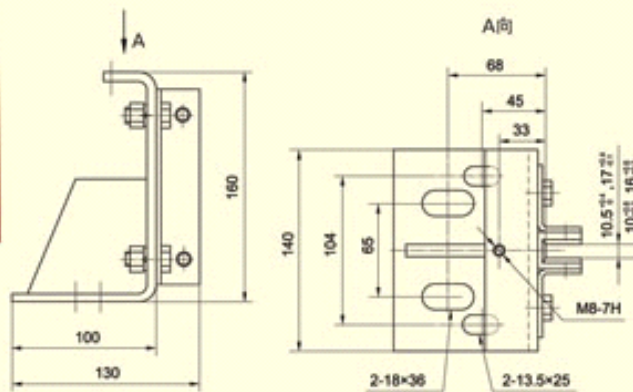
1. Rated Speed : $\leq 2.5\text{m/s}$
2. Width of guide rails: 10.16mm

EDX4A

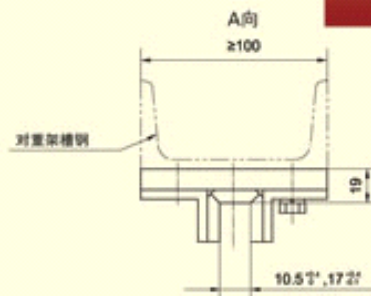
1. Rated Speed: $V \leq 2.5\text{m/s}$
2. Width of guide rails: 10mm, 16.4mm.
3. for hollow guide rails of Counterweight



EDX4 Guide shoe



EDX4A Guide Shoe

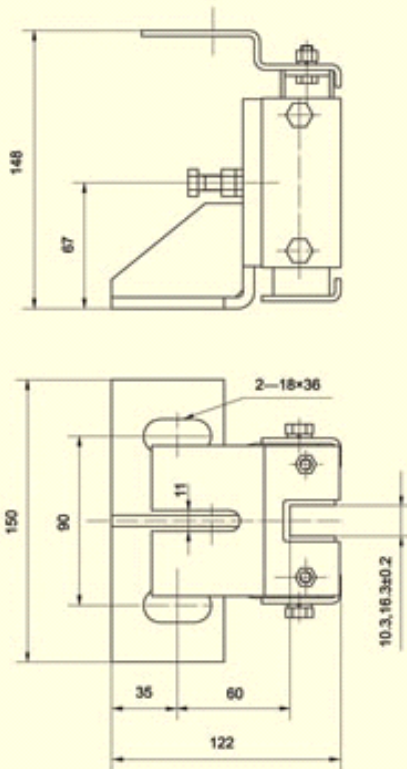


Elevator Parts-Guide Shoe

EDX10A

1. Rated Speed: ≤ 1.75 m/s
2. Width of guide rails: 10.16mm

EDX10A Guide Shoe

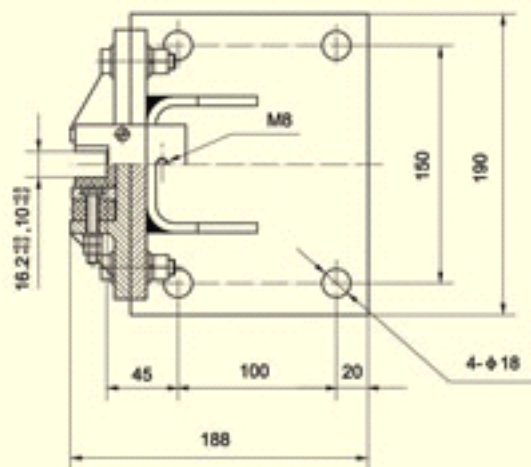
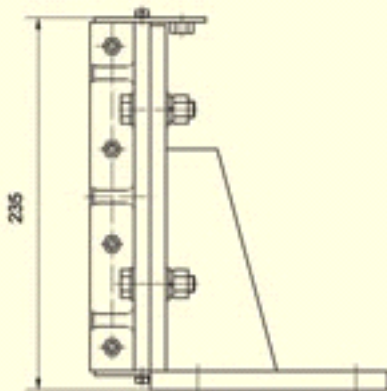


Elevator Parts-Guide Shoe

EDX12

1. Rated Speed: $\leq 2.0\text{m/s}$
2. Width of guide rails: 10.16mm

EDX12 Guide Shoe



Elevator Parts-Guide Shoe

EDX16

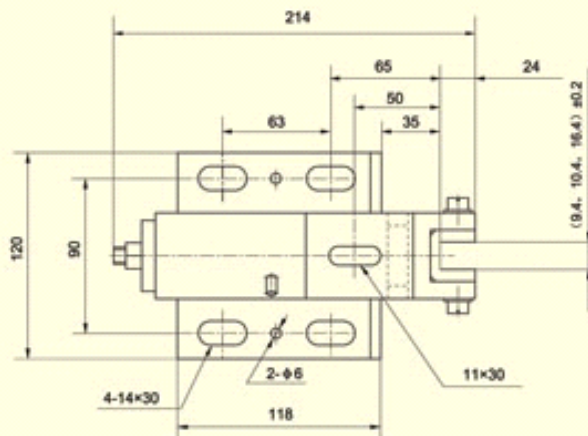
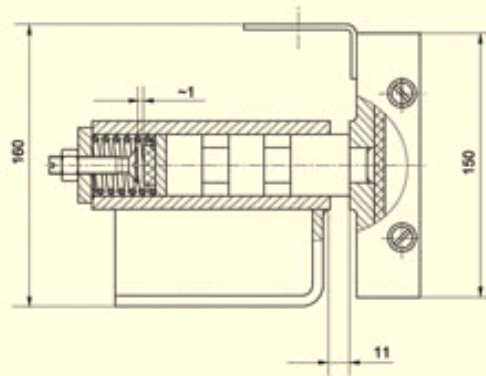
1. Rated Speed: $V \leq 2.0 \text{ m/s}$
2. Allowable gross mass: $Q \leq 1000 \text{ kg}$

Beside Counterweight

1. Rated Speed $V \leq 2.5 \text{ m/s}$
2. Allowable gross mass: $Q \leq 3500 \text{ kg}$
3. Width of guide rails: 16.4; 10mm



EDX16 Guide Shoe



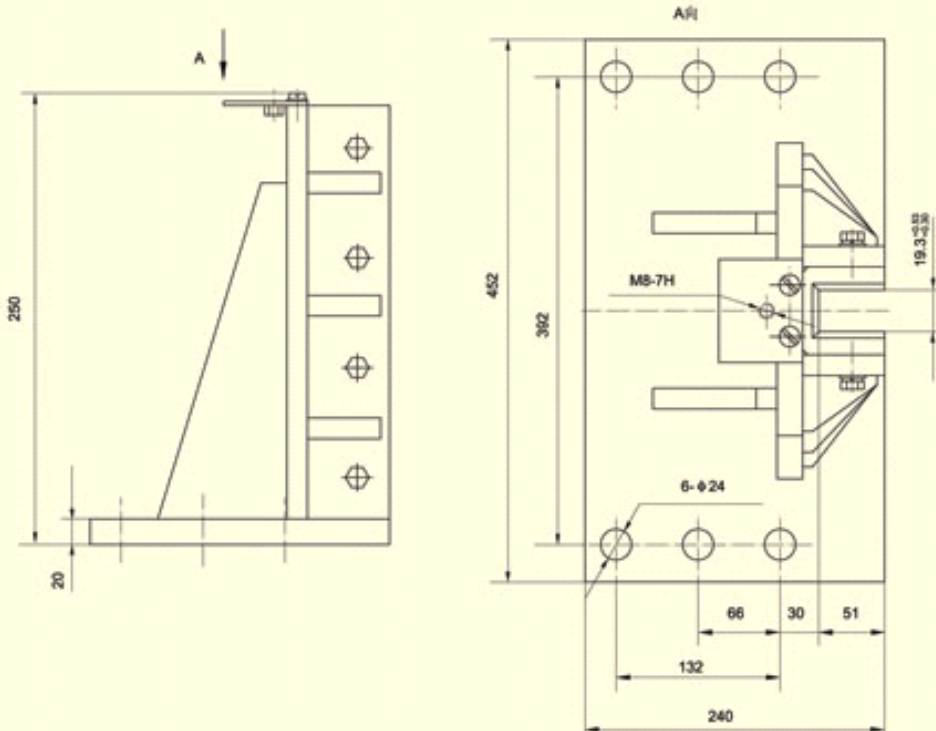
Elevator Parts-Guide Shoe

EDX17

1. Rated Speed: $\leq 0.63\text{m/s}$
2. Width of guide rails: 19mm



EDX17 Guide Shoe



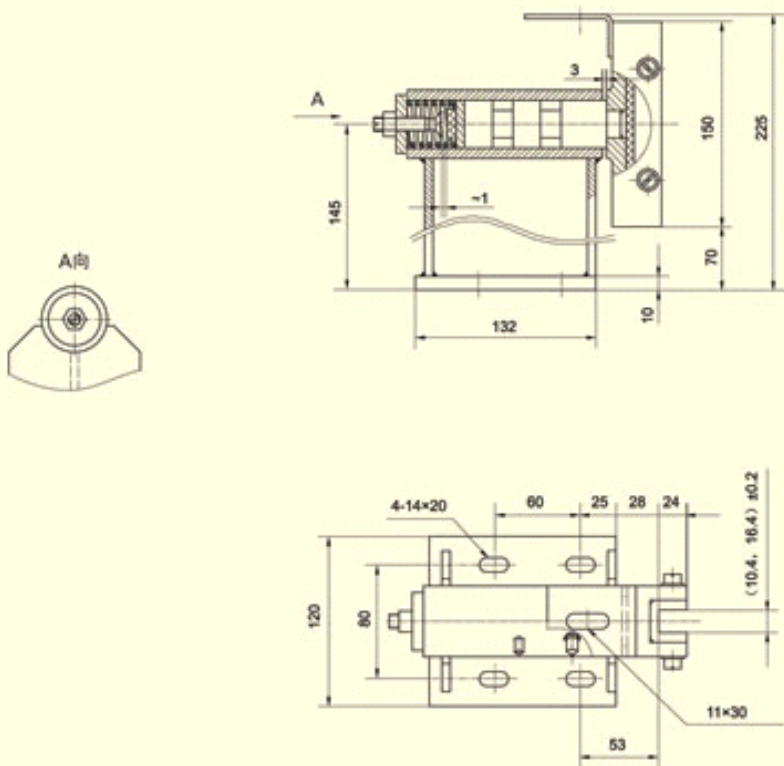
Elevator Parts-Guide Shoe

EDX21

1. Rated Speed :< =2.0m/s
2. Width of guide rails: 16mm



EDX 21 Guide Shoe



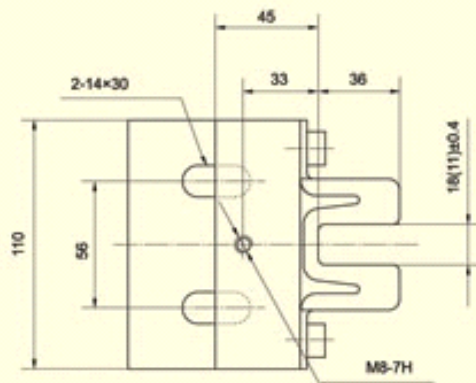
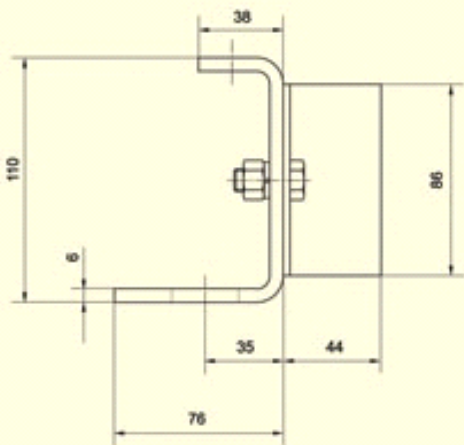
Elevator Parts-Guide Shoe

EDX23

1. for Counterweight
2. Rated Speed :< =1.75m/s
3. Width of guide rails: 16.4mm, 10mm (Hollow guide rails)



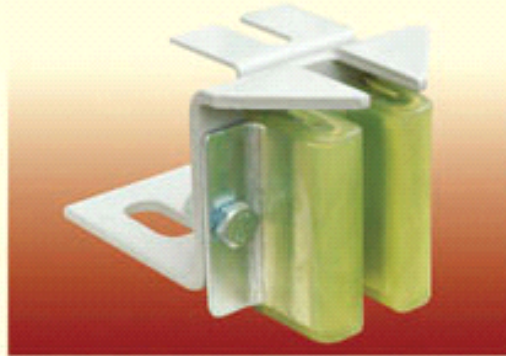
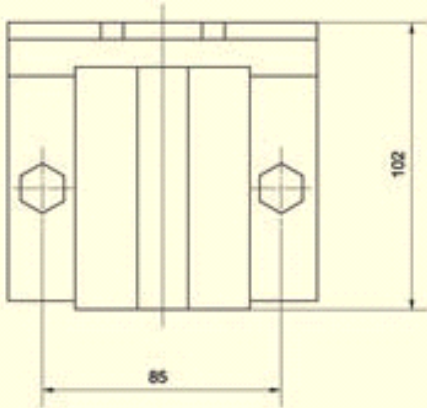
EDX 23 Guide Shoe



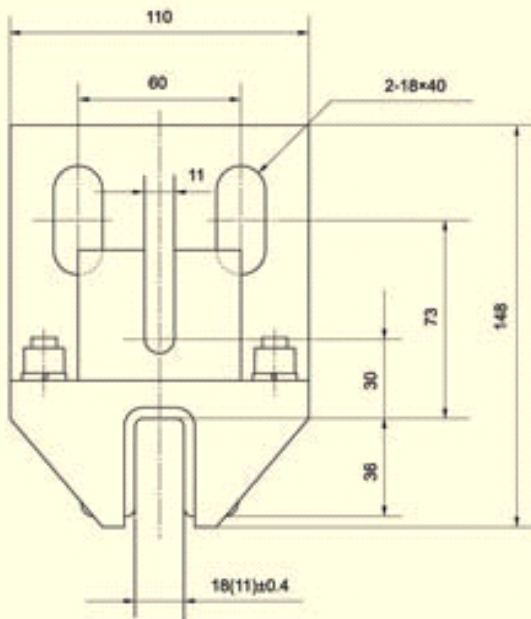
Elevator Parts-Guide Shoe

EDX24

1. Rated Speed: ≤ 1.75 m/s
2. Width of guide rails: 16.4mm, 10mm (Hollow guide rails)



EDX24 Guide Shoe



Elevator Parts-Guide Shoe

EDX26

1. Rated speed: $V \leq 1.75\text{m/s}$
2. Width of guide rails: 9, 10, 16mm, 16.4mm (Hollow guide rails)

EDX26 Guide Shoe

