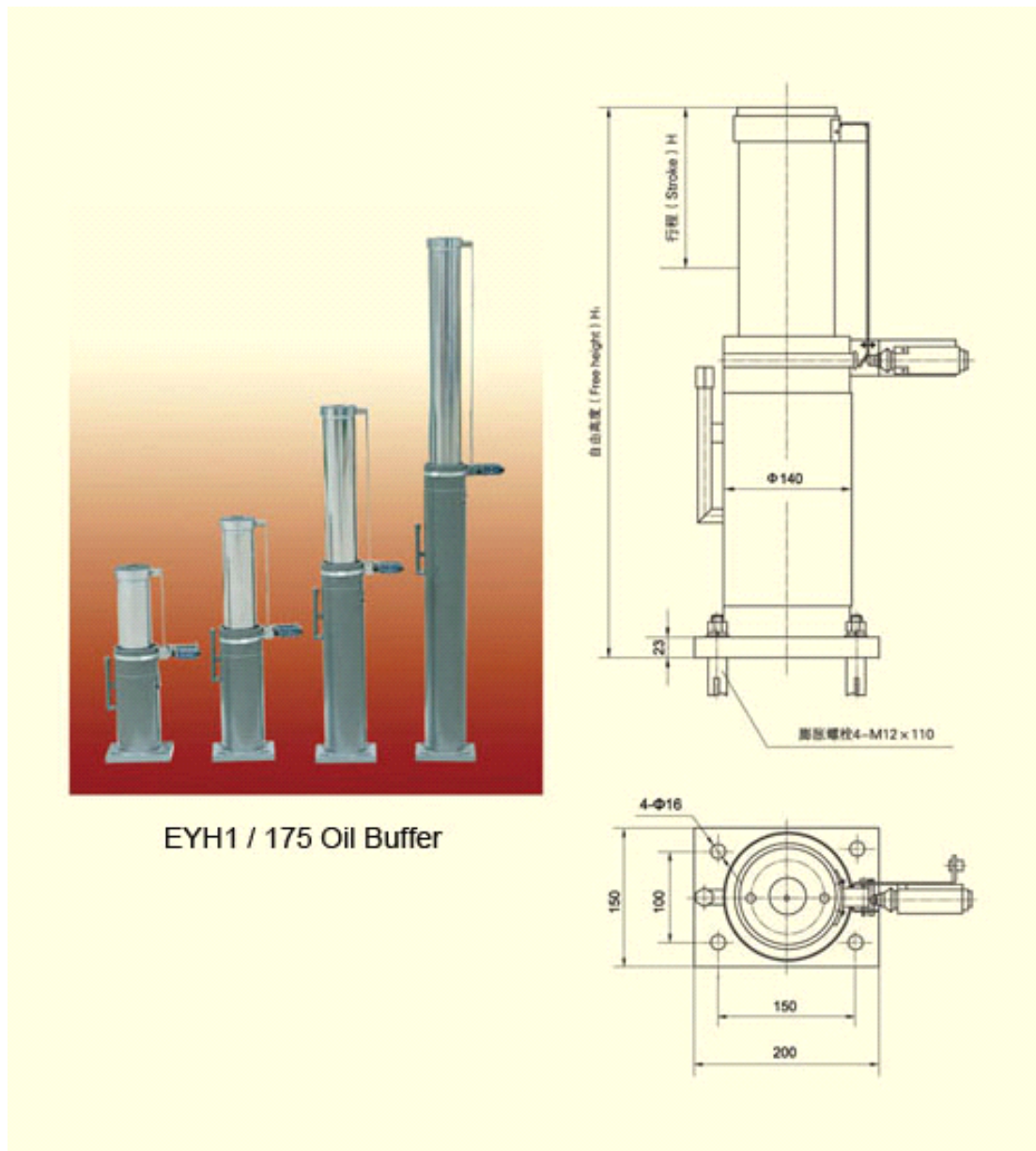


Elevator Parts—Oil Buffer

EYH1 / 175

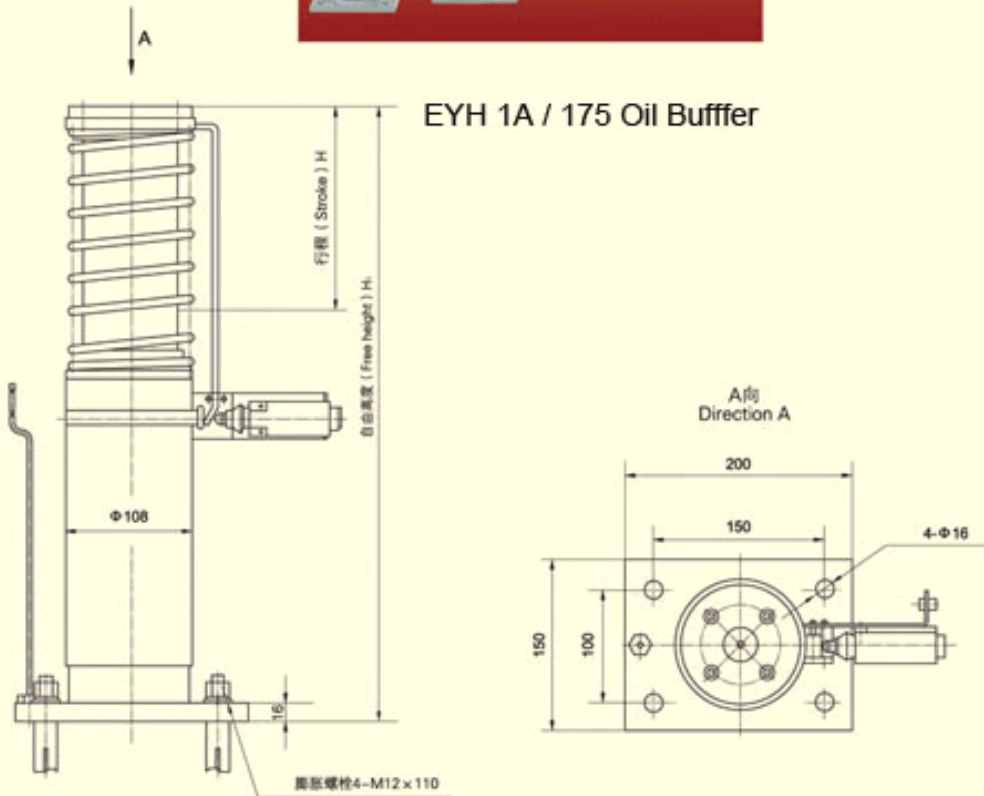


EYH1 / 175 Oil Buffer

Model	Stroke(mm)	Height(mm)	Rated Speed(m/s)	Allowable gross mass(kg)
EYH1 / 175	175	596	≤1.6	900-3500
EYH2/ 420	420	1146	≤2.5	900-3750
EYH4 / 270	270	763	≤2.0	900-4250
EYH5/ 640	640	1696	≤3.0	1250-3750

Elevator Parts—Oil Buffer

EYH1A/175

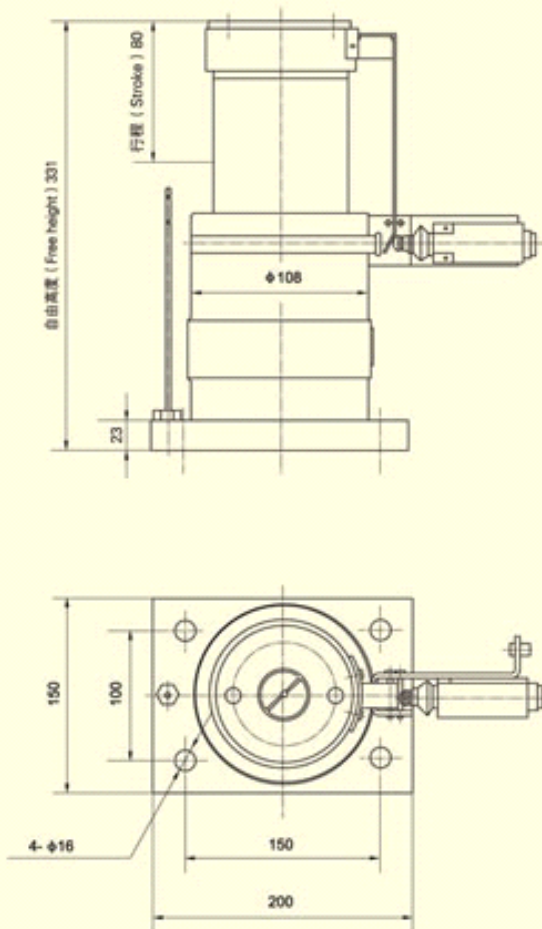


Model	Stroke(mm)	Height(mm)	Rated Speed(m/s)	Allowable gross mass(kg)
EYH1A / 175	175	580	≤1.6	900-3000
EYH6/275	275	810	≤2.0	900-3000
EYH7/100	100	420	≤1.0	900-3000
EYH8/206	206	673	≤1.75	900-3000

Elevator Parts—Oil Buffer

EYH3/80

1. Rated Speed: $\leq 1.0\text{m/s}$
2. Allowable gross mass: (P+Q) : 900-4250kg



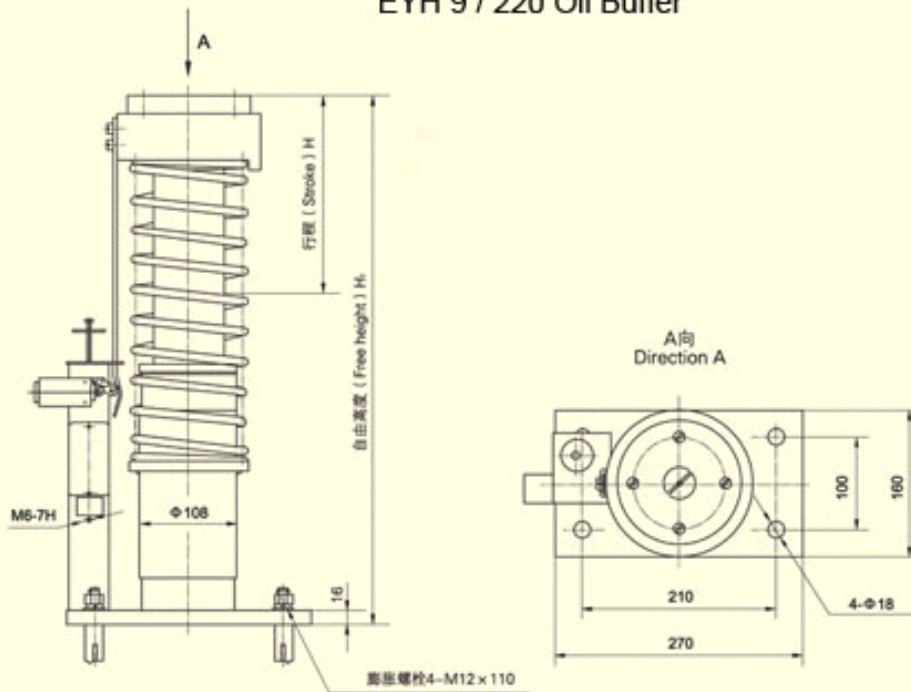
EYH 3 / 80 Oil Buffer

Elevator Parts—Oil Buffer

EYH9/220



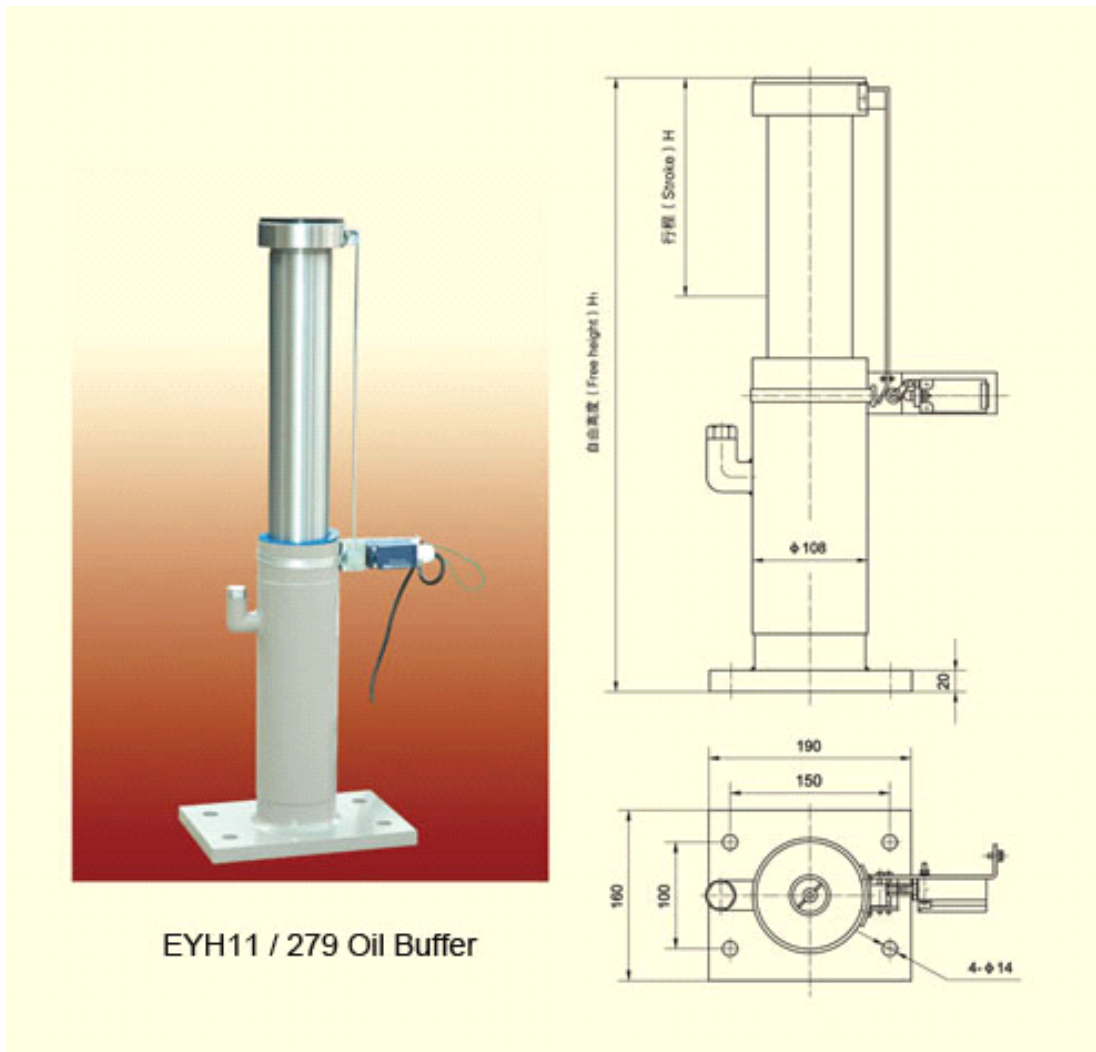
EYH 9 / 220 Oil Buffer



Model	Stroke(mm)	Height(mm)	Rated Speed(m/s)	Allowable gross mass(kg)
EYH9/220	220	590	≤1.75	900-2500
YH10/175	175	510	≤1.6	900-2500

Elevator Parts—Oil Buffer

EYH11/279



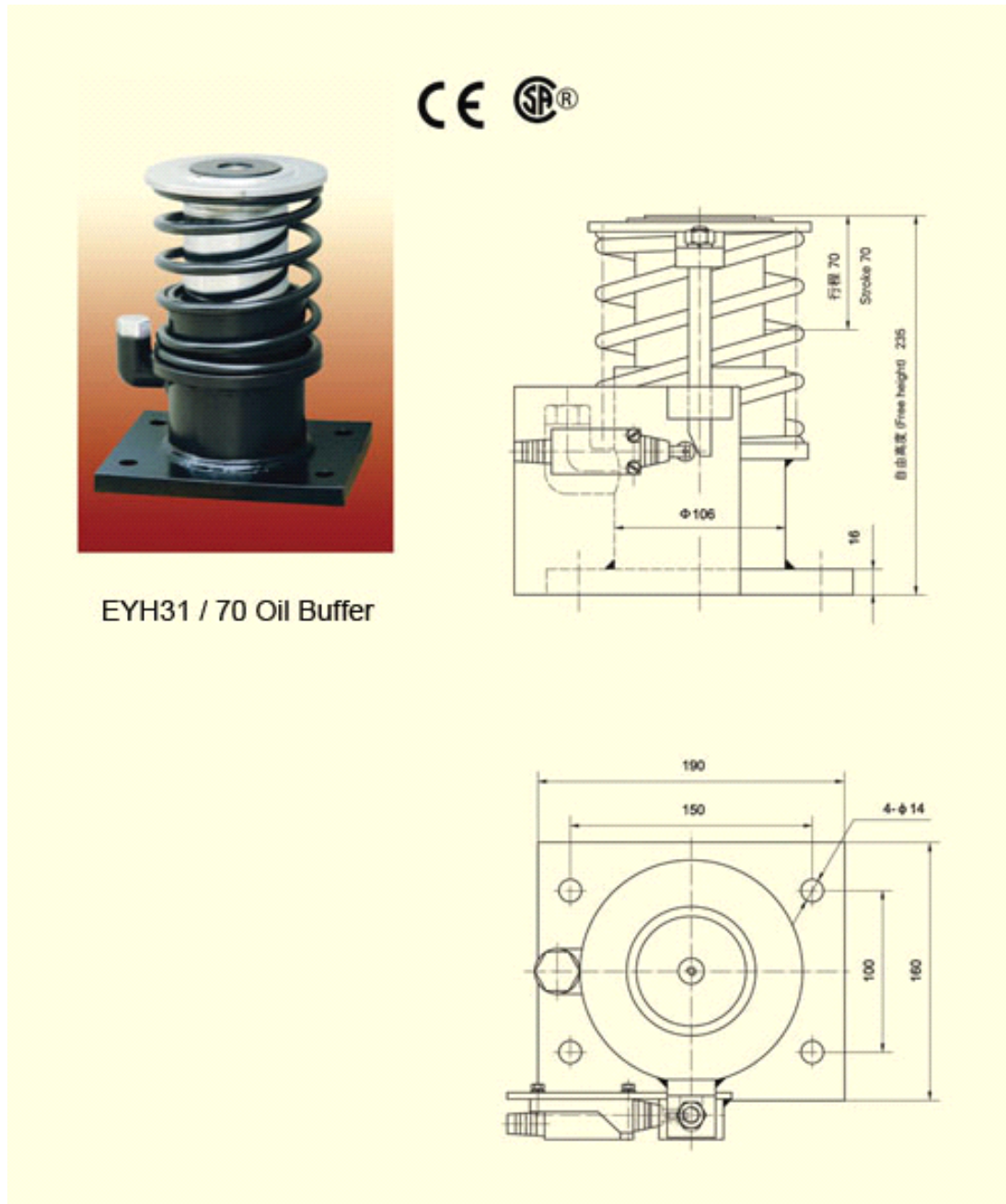
Model	Stroke(mm)	Height(mm)	Rated Speed(m/s)	Allowable gross mass(kg)
EYH11/279	279	805	≤2.0	900-4000
EYH12/430	430	1200	2.0-2.5	1200-4000
EYH13/230	230	756	≤1.75	900-4000
EYH14/175	175	554	≤1.6	780-3000

Elevator Parts—Oil Buffer

EYH31/70~EYH 40/462 Oil buffer is well sealed without any oil pollution and free of maintenance. They are green products. This series oil buffers meet the standard of EN81-1. They had been certificated with CE mark by BSI and CSL mark by CSA and NETEC mark by National Elevator Inspection and Testing Center in China.

EYH31 / 70

1. Rated Speed: $\leq 1.0\text{m/s}$
2. Allowable gross mass: (P+Q) : 600-2500kg

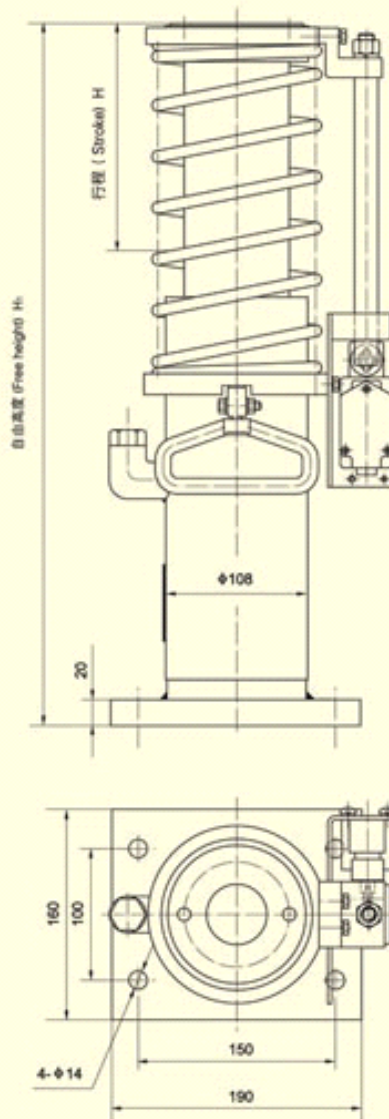


Elevator Parts—Oil Buffer

EYH32/173



EYH 32 / 173 Oil Buffer



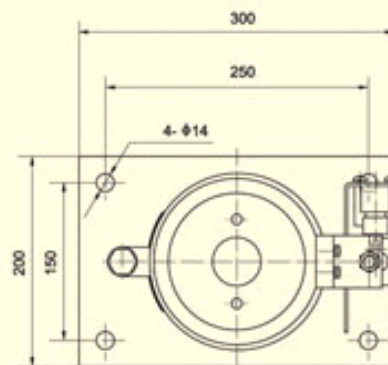
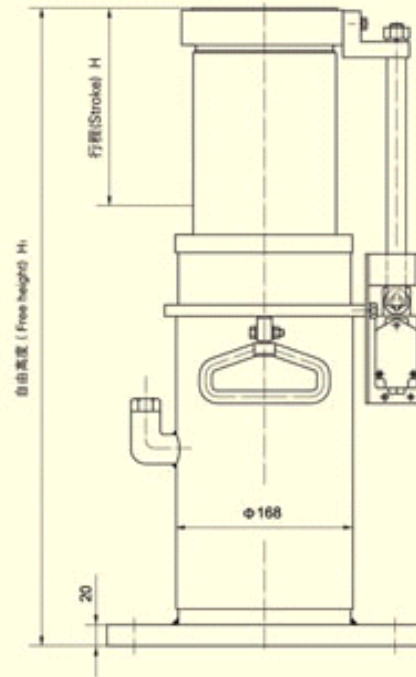
Model	Stroke(mm)	Height(mm)	Rated Speed(m/s)	Allowable gross mass(kg)
EYH32/173	173	536	≤1.6	600-4545
EYH33/219	219	639	≤1.8	600-4545
EYH34/279	279	773	≤2.03	600-4545
E YH35/435	435	1122	≤2.54	700-4545
EYH36/80	80	313	≤1.0	600-3500

Elevator Parts—Oil Buffer

EYH37/203



EYH 37 / 203 Oil Buffer



Model	Stroke(mm)	Height(mm)	Rated Speed(m/s)	Allowable gross mass(kg)
EYH37/203	203	613	≤1.6	2000-8330
EYH38/249	249	718.5	≤1.8	2000-8330
EYH39/300	300	834.5	≤2.03	2000-8330
E YH40/462	462	1206.5	≤2.54	2000-8330